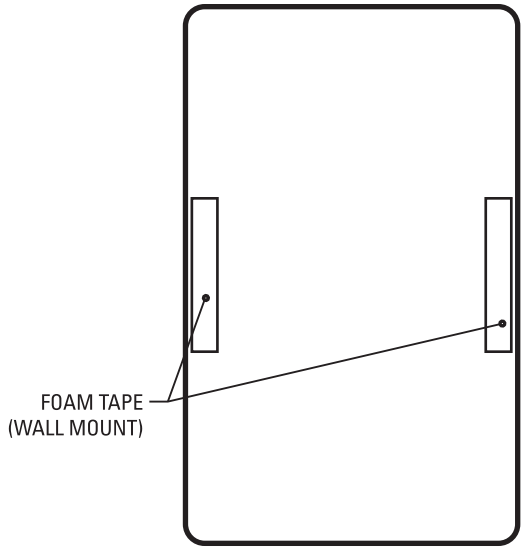
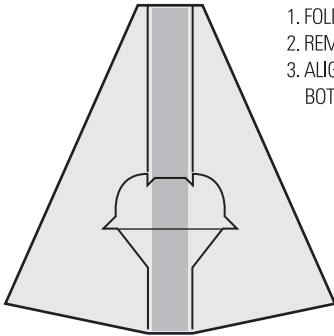


EASEL SETUP



BACKVIEW



1. FOLD EASEL TOGETHER
2. REMOVE ADHESIVE LINER FROM EASEL
3. ALIGN BOTTOM OF PLAQUE TO BOTTOM OF EASEL AND PRESS FIRMLY

